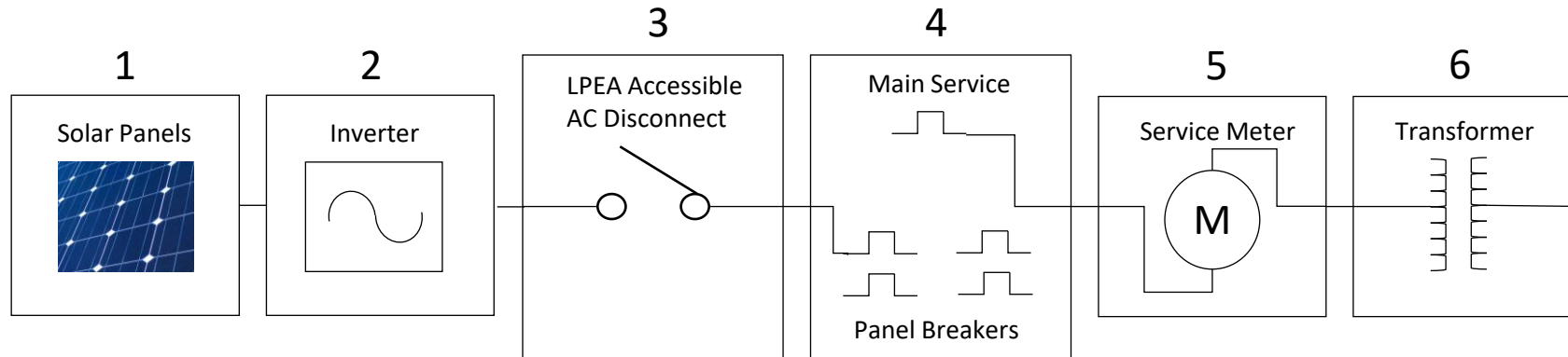


Example One Line Diagram & Requirements for Solar Generation Interconnection to LPEA Grid

Single phase & smaller than 50kW



- (1) Panel DC size must be projected (using LPEA approved methods) to produce less than 200% of the energy consumed by the service.
- (2) Inverter must be programmed with LPEA's required settings. See LPEA's most recent Interconnection Standards on the [Installers Resources page](#) of our website. All inverters must be UL 1741 listed.
- (3) An AC disconnect must be unobstructed, labeled, and accessible by LPEA. The AC disconnect must be capable of de-energizing the inverter (2). This may be a branch circuit of main service panel (4) if the panel is outdoors. AC disconnect must be clearly labeled.
- (4) Service panel breakers may be used as an accessible AC disconnect (3) if they are outdoors and if the inverter (or combiner for microinverters) is visible from and near the service panel.
- (5) Line side taps may be approved on load side of main disconnect.
- (6) Systems will not be approved if their AC capacity in aggregate with other generation on the transformer exceeds 90% the nameplate capacity of the LPEA transformer serving the service.
- (7) Non-export modes or export limited inverter settings may be used to address transformer loading or feeder capacity issues.